

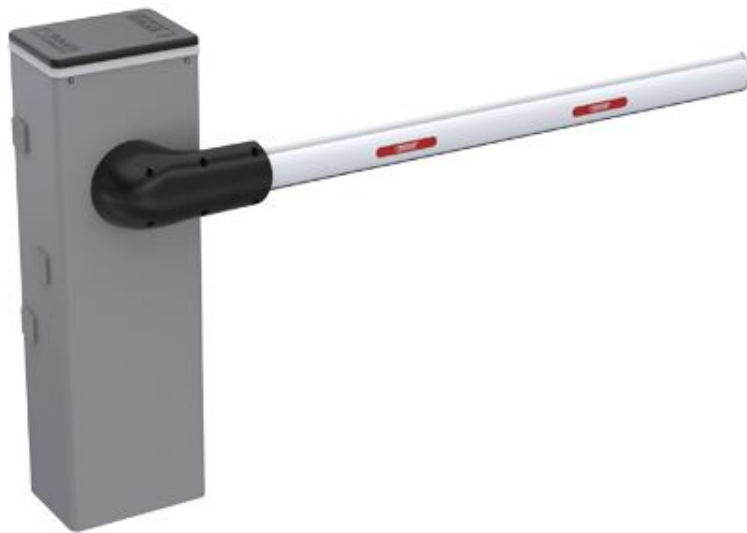
PRODUCT TECHNICAL DATASHEET

BI/006

Brushless 

Intensive use 

Digital Encoder 



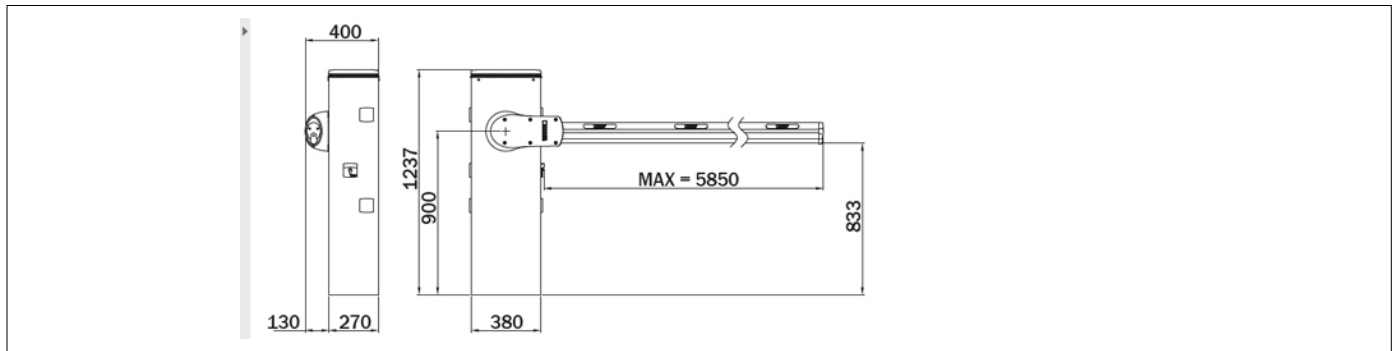
CODE	DESCRIPTION	PCS/PALLET
BI/006	Automatic Barrier BRUSHLESS 36V DC super intensive use up to 6 meters, with operator and and built in digital control panel and absolute encoder on board.	6

PRODUCT TECHNICAL SPECIFICATIONS

Barriers	Up to 6 mt long
Power line supply	230V AC - 50Hz
Motor power supply	36V DC
Electrical absorption	max 15A
Power rating	220W
Frequency of use	Super intensive use
Torque	10 - 300 N m
Operating temperature	- 20 + 55 C°
Protection level	IP54
Reductor Type	Irreversible
Opening time	4 ÷ 8 (sec)
Onboard control unit	CTRL Digital Controller 36V DC
Encoder	Digital native encoder + magnetic digital SENSORED, 4096 PPR
Accessories power supply	24V DC
Colour	Cabinet: painted RAL9006 arabesque grey - Head: black arabesque silver painted - Boom support: black arabesque silver painted - Boom: painted RAL9010 matt
Release system	European Key cylinder
Batteries recovery	Available (optional)

BUS synchronization Master/Slave	Yes
Operating cycles per day (opening/closing - 24 hours no stop)	4000 cycles
Maximum dimension product in mm (L x W x H)	380 x 270 x 1237
Product weight packed (Kg)	75,1
Number items per pallet	6

PRODUCT DIMENSIONS AND PREPARING FOR INSTALLATION



DIMENSIONS

PRODUCT ACCESSORIES

BAFS/01 Fixed support for bars.	BAFS/02 Fixing support, adjustable.	BAFS/03 Fixing support with bolt predisposition for bars.	BAFS/04 Fixing support adjustable, with bolt predisposition for bars.	BAFS/05 Adjustable fixed support with vandal-proof magnetic suction cup complete with B72/DGS demagnetizer card.	BAMS/01 Mobile support for bars.
BAMS/01/EXT Extension 20cm for mobile support BAMS/01.	BA/90/2 White painted aluminum rod, 2 meters long, with LED cover profile and impact resisteng rubber profile.	BA/91/3 White painted aluminum rod, 3 meters long, with LED cover profile and impact resisteng rubber profile.	BA/91/4 White painted aluminum rod, 4 meters long, with LED cover profile and impact resisteng rubber profile.	BA/91/6 White painted aluminum rod, 6 meters long, with LED cover profile and impact resisteng rubber profile.	JNT/BA/91 Internal boom bar joint in anodized aluminum including fixing screws for bars BA/91.
BARK/02 Barrier skirting in aluminum, with stainless steel screws mounted on bronze bushings. Single module of length 2 meters.	BI/BAT/KIT Kit for emergency batteries charger for brushless digital controller CTRL 36V DC with plug-in card, with 2 recovery batteries 12V DC, 4.5 Ah. Kit for BIONIK barrier.	BI/BCHP Plug-in card, batteries charger, for brushless digital controller CTRL 36V DC, without recovery batteries, for BIONIK barrier.	BT12V45 Battery 12V 4.5 Ah (1 pc).	B71/PBX/36/BOX Hybrid inverter, "Network Assisted" version, for powering the automation. Also provides a battery-charger function thanks to the connection to the solar panels or mains supply for powering the 36V DC brushless digital controllers with a mains voltage of 230V AC.	B71/PBX/36/BOX/115 Hybrid inverter, "Network Assisted" version, for powering the automation. Also provides a battery-charger function thanks to the connection to the solar panels or mains supply for powering the 36V DC brushless digital controllers with a mains voltage of 115V AC.
B71/PBX/BOX Hybrid inverter, "Full Solar" version, for powering the automation. Also provides a battery-charger function thanks to the connection to the solar panels for powering the brushless digital controllers.	KT230 Fixing plate with stay bolts and screws for BI/001PE - BI/001PC - BI/004HP - BI/006.	KT231 Fixing plate for code BAFS/01, BAFS/02, BAFS/03, BAFS/04, BAFS/05.	CRA/BAR Post for photocells G90/F2ES - G90/FAES - for spaced installation on a barrier cabinet (+23cm).	CRA/BAR/M90 Post for photocells M90/F2ESO - M90/FAESO for spaced installation on a barrier cabinet (+23 cm).	B73/EXP Signal status board, 2 output for CTRL - CTRL/P



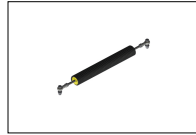
B73/LTM
RGB boom light and traffic light control device for CTRL.



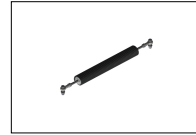
B73/RGB
RGB light control device for F70/INV36/1 modules.



B74/BCONNECT
Module WI-FI B-CONNECT - Remote management and programming system in IP and CLOUD web browser mode via Wi-Fi hot spot P2P connection for Brushless control units (B70/2ML - EDGE1 - CTRL - CTRL/P - B70/1DCHP).



SP/83/01
Spring diameter 83 mm for barriers.



SP/85/01
Spring diameter 85 mm for barriers.



DLD1/24
Loop detector for 1 loop, 2 output, 24V AC/DC.



DLD2/24
Loop detector for 2 loop, 2 output + output alarm, 24V AC/DC.



KT239
Kit DIN rail with magnetic support.



KT242
Cable passage kit with magnetic support for barriers.



ALED/6C
6-metre LED strip with connection cable for barrier boom (red colour).



ALED/6C/RGB
6-metre multicoloured RGB LED (red, green + other colours) strip with connection cable for barrier boom.



BI/BLED/6/RGB
Multicoloured RGB LED strip (red, green + other colours) with connection cable for BI/004HP - BI/006 barrier header.



R99/BASB20
Pack of 20 stickers for barrier.



R99/BASB40
Pack of 40 stickers for barrier.