

# HM-R-WP

## Rail



The HM-R-WP Rail is used for thermal image scope.

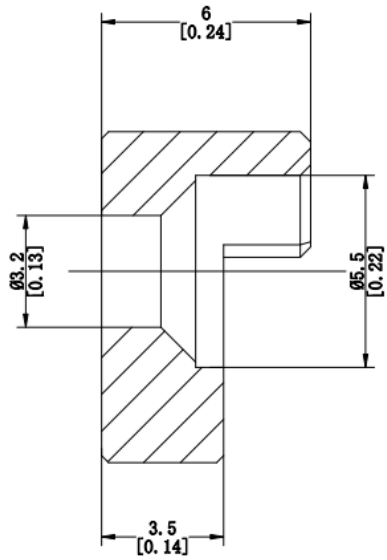
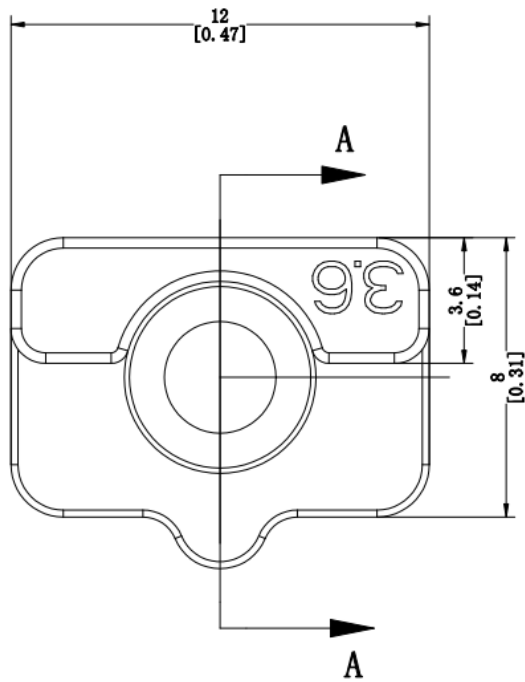
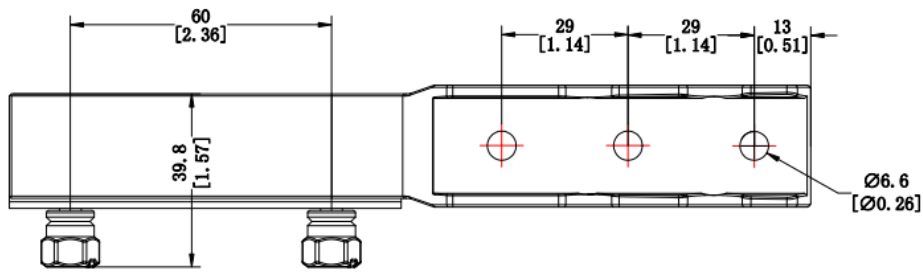
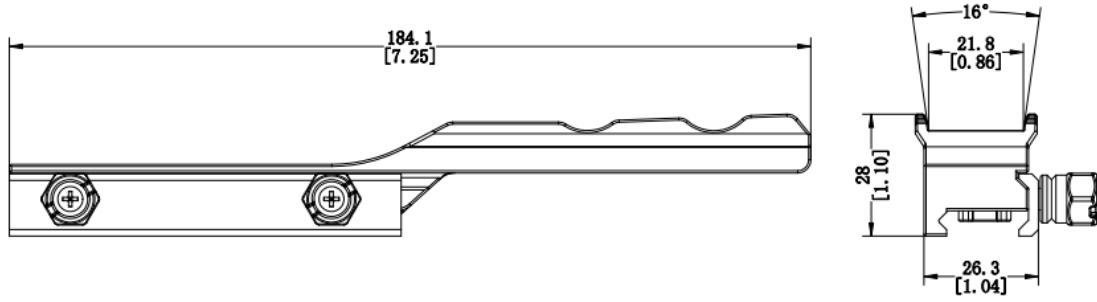
### Specification

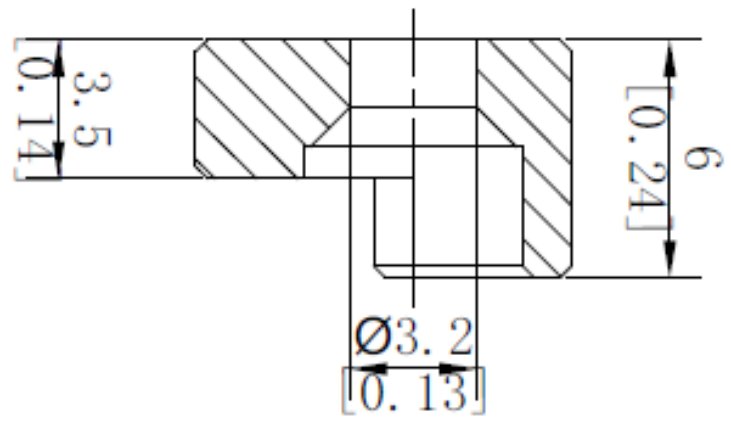
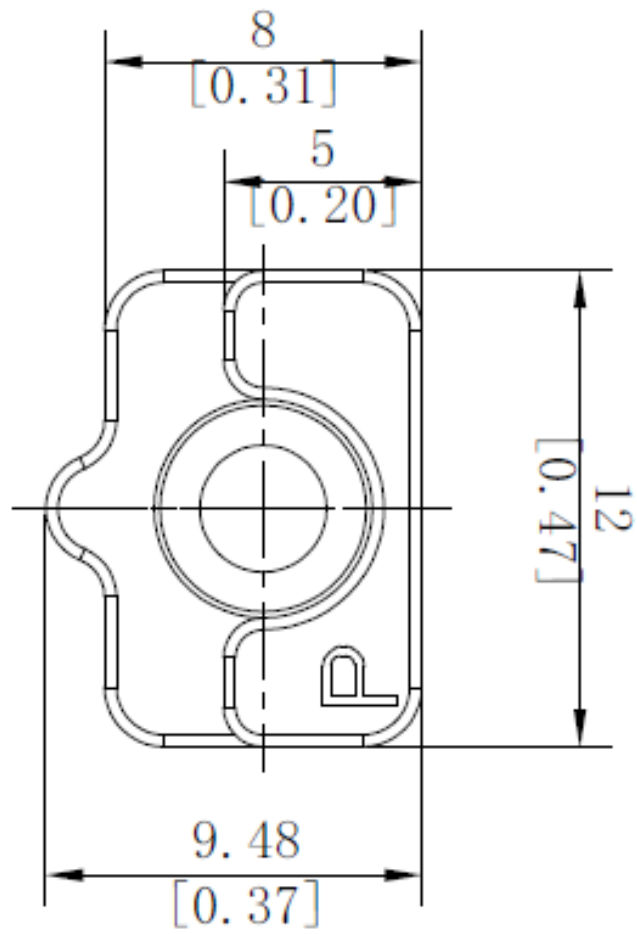
GENERAL	
DIMENSION	184.1 mm × 26.3 mm × 28 mm (7.25" × 1.04" × 1.10")
WEIGHT	150 g
ACCESSORY	Wrench, Screw, Ring, Weaver block (4.4), Weaver block (3.6), Picatinny block
MOUNTING DIAMETER	Picatinny Interface, Weaver Interface

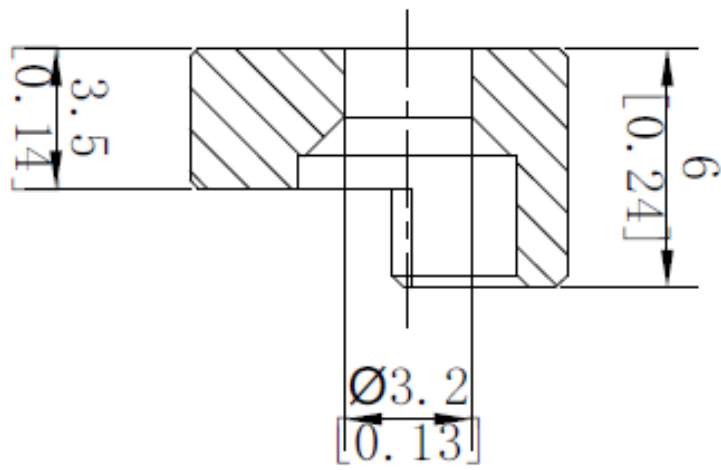
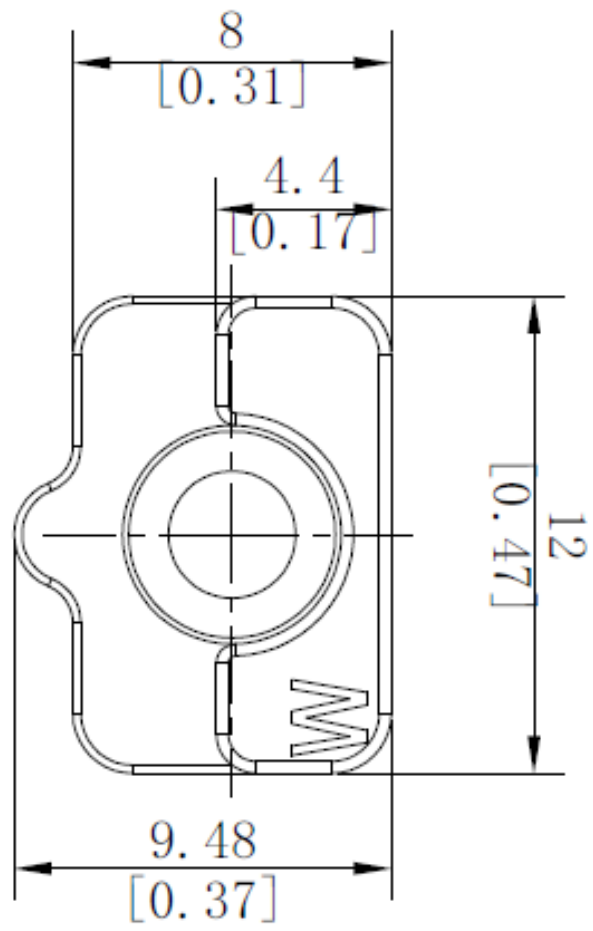
### Available Model

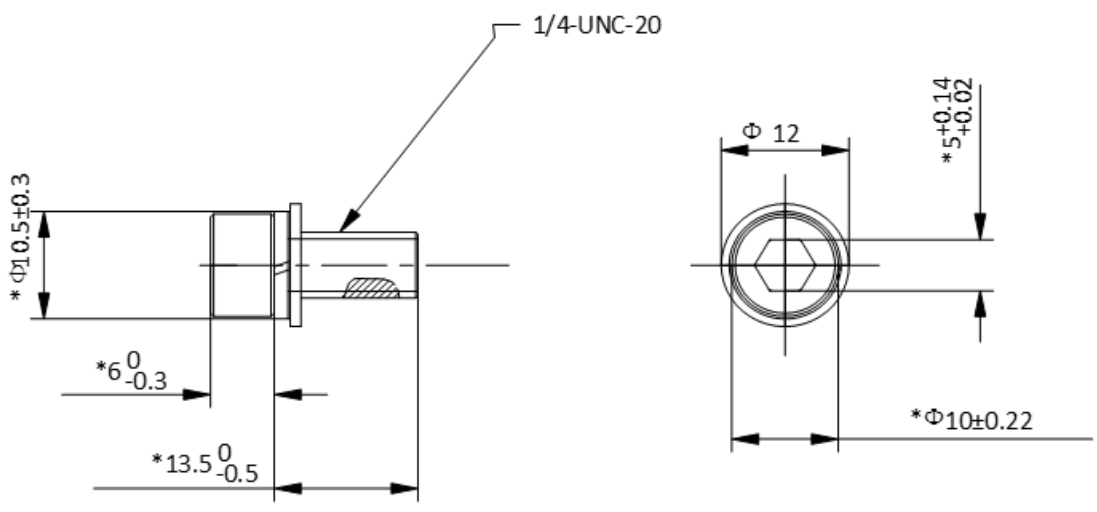
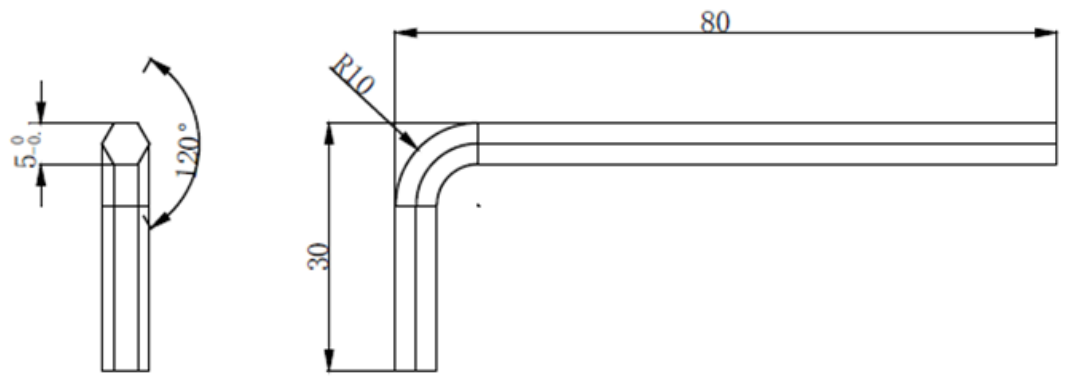
## HM-R-WP

# Dimension









Unit: mm [inch]



HIKMICRO Outdoor hikmicro\_outdoor HIKMICRO Outdoor HIKMICRO info@hikmicrotech.com <http://hikmicrotech.com/en>

room 313, unit B, building 2, 399 danfeng road, xixing subdistrict, binjiang district, hangzhou, zhejiang  
@hangzhou microimage software co., Ltd .2020 | data subject to change without notice!