

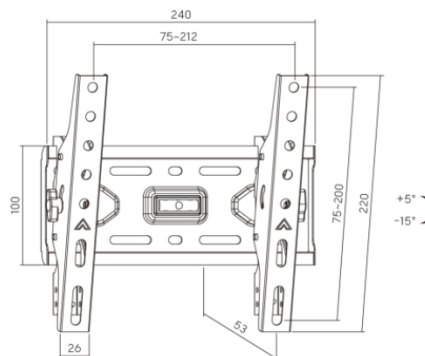


# ANSEC

## Mounting Brackets

### ANF-4-B

Dimensions (mm)



- Picture Hanging Style: for a quick and easy installation
- Free-Tilting Design: makes easy forward or backward adjustment for better viewing and reduced glare
- Integrated Bubble Level: assures alignment
- Security Screws: hold TV securely to the wall plate
- Reduced Package Size: relatively lower transport costs and storage fees (perfect for e-commerce platform sellers)

Specification / Model	ANF-4 -B
Product Category	Tilt TV Wall Mount
Material	Steel
Fit Screen Size	13"-43"
Fit Curved TV	No
Tilt Range	+5°~-15°
Cable Management	No
VESA Compatible	75x75,100x100,100x150,150x100,100x200,200x100,150x150,200x200
Dimensions	53x240x220mm
Weight Capacity	45kg

High-quality mounts provide the perfect solution for TV installation, allowing for easy and secure mounting in various environments. Designed to offer optimal stability and flexibility, these mounts are ideal for use in homes, offices, commercial spaces, and other applications.

