

L-Z BRACKETS - B1012A (For 600 LBS)



B1012A-Z



B1012A-L

▼ ORDERING INFORMATION

EXAMPLE :

- B1012A : For 600LBS. Maglocks

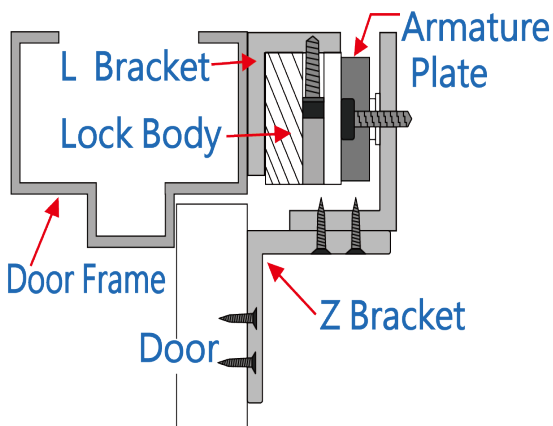
▼ SPECIFICATION

- Material : Aluminum
- Finish : Anodized Finish

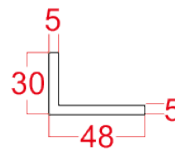
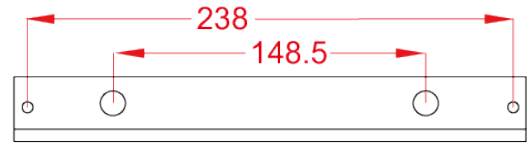
▼ FEATURES

- Easy to locate the armature plate and the magnet
- Collocation with electromagnetic locks to fit with customers' installation environments
- Applicable for in-swing door

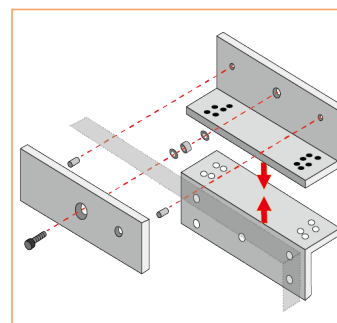
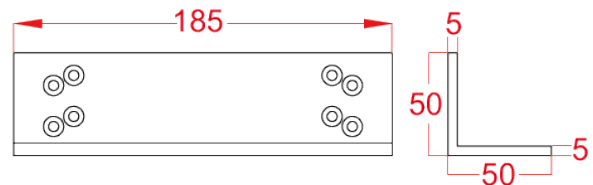
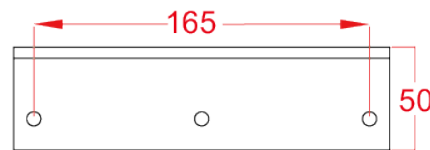
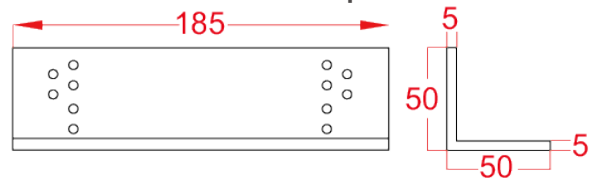
▼ INSTALLATION



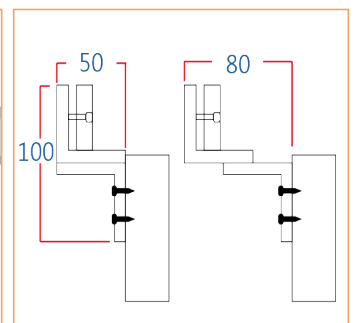
• L-Brackets for lock body



• Z-Brackets for armature plate



• Installation of L - Z Brackets



• Adjustment installation of L-Z Brackets