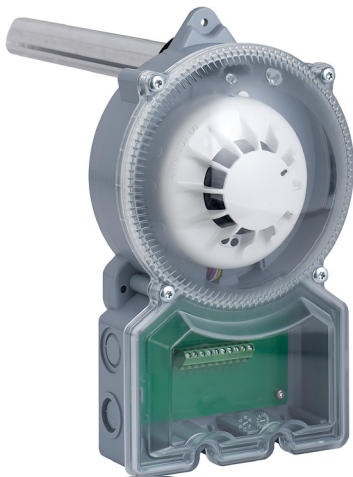




DPK6 Duct Probe with 4B-C 4 Inch Continuity Base



General Information

The DPK6 duct probe unit detects smoke in ventilation ducts and offers significant benefits in terms of performance and installation.

For most applications, smoke or combustion products can travel some distance. This can age the smoke prior to reaching the probe unit. Building regulations often require the installation of an optical smoke detector. The DPK6 duct probe unit uses FC460PH optical and heat multisensor smoke detectors.

The DPK6 unit is mounted to the outside of the ventilation duct, with the single probe penetrating the duct. It is normal practice not to mount the probe unit directly inside a ventilation duct to prevent the detector becoming dirty too quickly. The probe tube gathers air from a cross section of the ventilation duct and passes the air through a smoke detector head.

The DPK6 smoke detector housing is designed to comply with the European standard EN54-27 and meets the requirements for safe fire detection with airflow speeds from 0.5 m/s to 20 m/s.

The detector should be installed where flow meters and similar devices are normally sited. This ensures that the airflow through the adaptor is representative of the airflow in the ventilation duct.

General Features

- DPK6 with built-in 4B-C 4 inch continuity base for use with FC460PH detectors
- Designed to comply with EN 54-27
- One-pipe air sampling system
- Patented venturi pipe and duct housing
- Test hole on cover
- Simple installation
- Sensitive flow indicator
- Simple service and maintenance
- Range of aluminium probe tubes available for ducts up to 2700 mm

Technical Specifications

Mechanical

Dimensions (WxHxD)	165 x 280 x 85 mm
Cable entry	4 x M20 gland entry knockouts
Material	ABS plastic
Color	Grey (RAL7001)
IP rating	IP54
Weight	700 g (with base)

Environmental

Permissible air speed	1 - 20 m/s
Ambient temperature	-20 to +70°C
Humidity	up to 95% rh (non-condensing)

A new class of Fire Detection

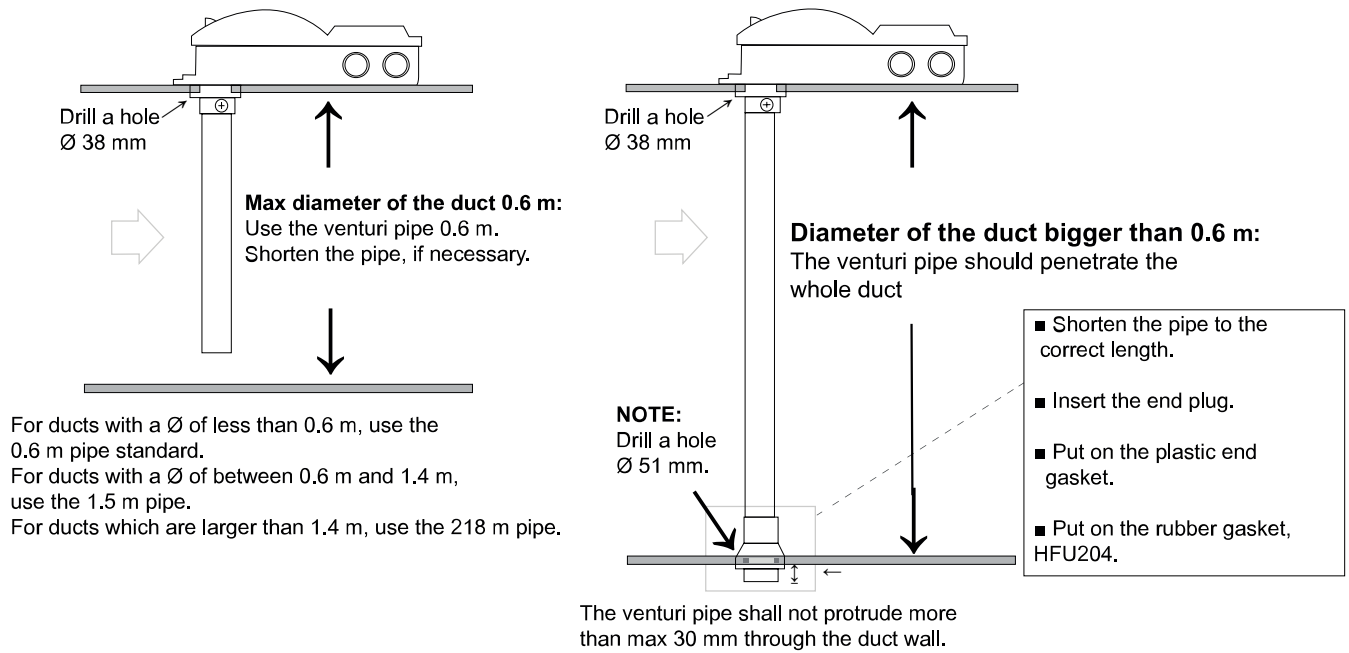


Fig. 1: Fitting pipe in duct

Product Order Codes

- 517.025.056 DPK6 Duct Probe with 4B-C 4 Inch Continuity Base
- 517.025.058 DPK6-60 - Duct Probe Tube 60 cm
- 517.025.059 DPK6-150 - Duct Probe Tube 150 cm
- 517.025.060 DPK6-280 - Duct Probe Tube 280 cm
- 517.025.061 DPK6-MB - Duct Probe Mounting bracket
- 517.025.055 DPKF - Filter (pack of 10)