

A solid red horizontal banner with rounded right corners spans across the top left portion of the page. It contains the product name and model number in white text.

**DS-PDC10DM-EG2-WE**  
**Wireless External DT Detector**

- · Slim design for window frame installation
- · IP65 weather resistance for outdoor application
- · Active IR anti-masking
- · Multiple enrollment methods and easy installation
- · Frequency hopping against jamming for reliable transmission

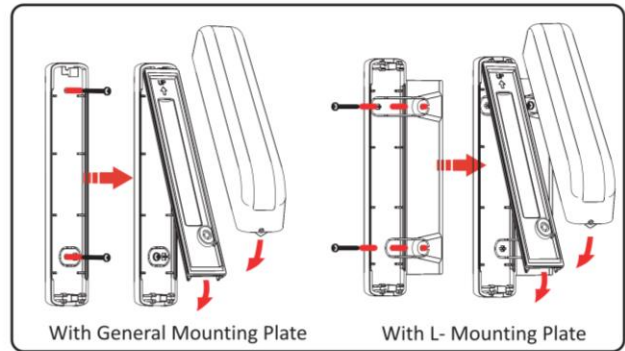
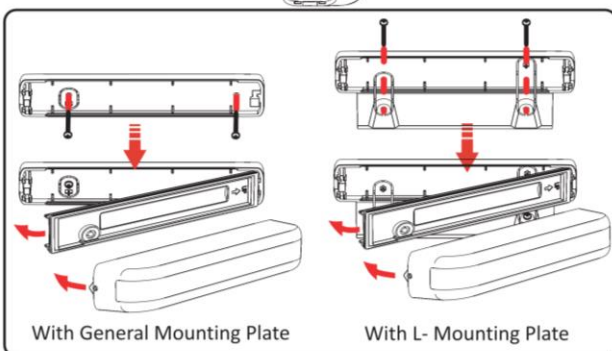
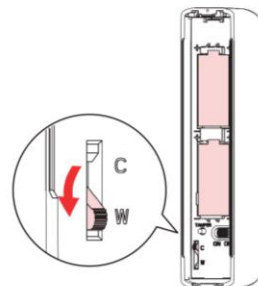
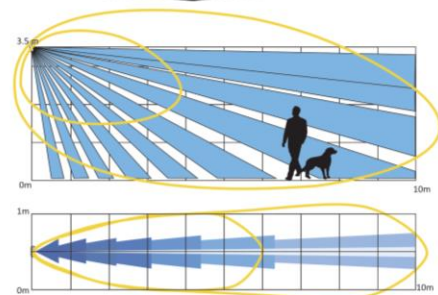
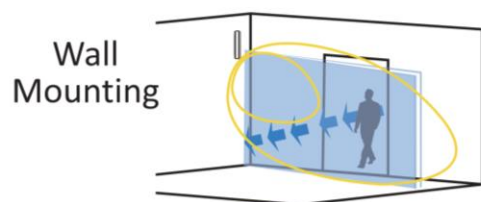
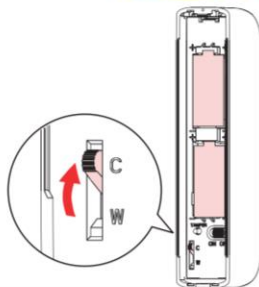
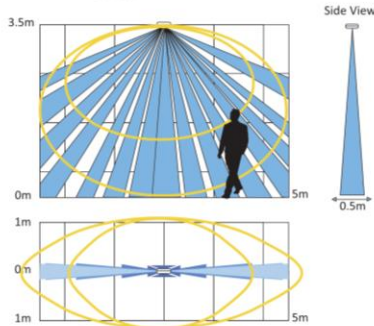
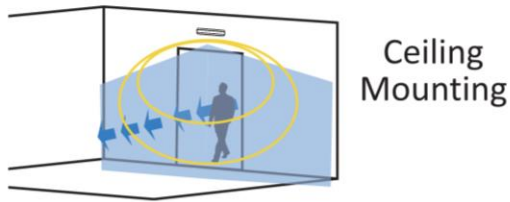


## ▪ Specification

	Model	DS-PDC10DM-EG2-WE
<b>Detection Performance</b>	Detection Method	Passive Infrared,Microwave
	Detection Range	Wall Mount: 10m Ceiling Mount: 5m
	Detection Angle	5°
	Detection Zones	32
	Detectable Speed	0.3~2m/s
	Sensitivity	Auto,Pet
	White Light Filter	6500lux
	Pet Immunity	Wall Mount: 12Kg Ceiling Mount: None
	Microwave Frequency	24GHz(24.15 to 24.25GHz)
	Digital Temperature Compensation	Support
	Creep Zone Protection	Support
	Anti-masking	Support
<b>Feature</b>	Digital Processing	Support
	Sealed Optics	Support
	Tamper Protection	Front,Rear
	Environment Temperature Indicator	Support
	Signal Strength Indicator	Support
<b>Interface</b>	Power Switch	Power Up Enrolling
	LED Indicator	Green(PIR), Red(Microwave), Green+Orange(Mask), Blue(Alarm)
<b>Transmission</b>	Transmission Technology	Tri-X Wireless
	Transmission Method	Two-Way RF Wireless
	Transmission Frequency	868MHz
	Transmission Security	AES-128 Encryption
	Transmission Range(Free Space)	1.6Km
	Frequency Hopping	Support
	Enrolling Method	Power up,Remote ID,QR Code
<b>Electrical Characteristics</b>	Standard Battery Life	5 years in work status (being triggered 20 times per day)
	Power Supply	Battery Powered
	Battery Type	CR123A × 2
	Typical Voltage	3V
<b>General</b>	Operation Temperature	-10 °C to 55 °C (14 °F to 131 °F)
	Storage Temperature	-20 °C to 60 °C (-4 °F to 140 °F)
	Operation Humidity	10% to 90%
	IP Rate	IP65
	Dimension(WxHxD)	29.2mm × 134.4mm × 39.5mm
	Weight	120g

Mounting Height	2 to 3.5m
Mounting Method	Wall,Ceiling
Application Scenario	Indoor,Outdoor
Bracket	L-shaped adapter included

▪ **Installation**



▪ **Available Model**

DS-PDC10DM-EG2-WE

Distributed by

**HIKVISION®****Headquarters**

No.555 Qianmo Road, Binjiang District,  
Hangzhou 310051, China  
T +86-571-8807-5998  
overseasbusiness@hikvision.com

**Hikvision USA**  
T +1-909-895-0400  
sales.usa@hikvision.com

**Hikvision Australia**  
T +61-2-8599-4233  
salesau@hikvision.com

**Hikvision India**  
T +91-22-28469900  
sales@pramahikvision.com

**Hikvision Canada**  
T +1-866-200-6690  
sales.canada@hikvision.com

**Hikvision Thailand**  
T +662-275-9949  
sales.thailand@hikvision.com

**Hikvision Europe**  
T +31-23-5542770  
sales.eu@hikvision.com

**Hikvision Italy**  
T +39-0438-6902  
info.it@hikvision.com

**Hikvision Brazil**  
T +55 11 3318-0050  
Latam.support@hikvision.com

**Hikvision Turkey**  
T +90 (216)521 7070- 7074  
sales.tr@hikvision.com

**Hikvision Malaysia**  
T +601-7652-2413  
sales.my@hikvision.com

**Hikvision UK & Ireland**  
T +01628-902140  
sales.uk@hikvision.com

**Hikvision South Africa**  
Tel: +27 (10) 0351172  
sale.africa@hikvision.com

**Hikvision France**  
T +33(0)1-85-330-450  
info.fr@hikvision.com

**Hikvision Kazakhstan**  
T +7-727-9730667  
nikia.panfilov@hikvision.ru

**Hikvision Vietnam**  
T +84-974270888  
sales.vt@hikvision.com

**Hikvision UAE**  
T +971-4-4432090  
salesme@hikvision.com

**Hikvision Singapore**  
T +65-6684-4718  
sg@hikvision.com

**Hikvision Spain**  
T +34-91-737-16-55  
info.es@hikvision.com

**Hikvision Tashkent**  
T +99-87-1238-9438  
uzb@hikvision.ru

**Hikvision Hong Kong**  
T +852-2151-1761  
info.hk@hikvision.com

**Hikvision Russia**  
T +7-495-669-67-99  
saleru@hikvision.com

**Hikvision Korea**  
T +82-(0)31-731-8817  
sales.korea@hikvision.com

**Hikvision Poland**  
T +48-22-460-01-50  
info.pl@hikvision.com

**Hikvision Indonesia**  
T +62-21-2933759  
Sales.Indonesia@hikvision.com

**Hikvision Colombia**  
sales.colombia@hikvision.com