

# PRODUCT TECHNICAL DATASHEET

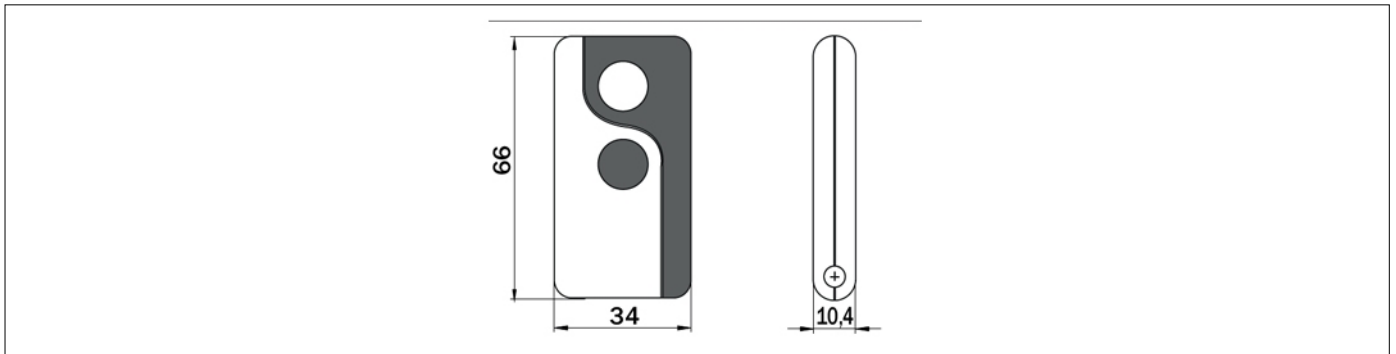
# SYNUS/2



| CODE    | DESCRIPTION   | PCS/PALLET |
|---------|---|------------|
| SYNUS/2 | Dual code transmitter (modality fixed code or rolling code), 433,92 Mhz. 2 channels, with radio for copy. |            |

| PRODUCT TECHNICAL SPECIFICATIONS            |  |
|---|--|
| Standard power                              | 3V DC  |
| Absorption                                  | 8mA  |
| Operating temperature                       | -10+55 °C  |
| Number of channels                          | 2  |
| Codification                                | Fix code or Rolling Code                         |
| Modulation                                  | AM/ASK   |
| Carried frequency                           | 433.92MHz  |
| Number of combinations                      | 65.536 (Fix code) - 4.294.967.296 (Rolling code) |
| Types of fixed codes clonable               | MANCHESTER,PCM, Max.64bit                        |
| Number of bits of the identification code   | 16 (Fix code) - 32 (Rolling code)                |
| Number of bits transmitted                  | 28 (Fix code) - 144 (Rolling code)               |
| Radio for copy                              | Yes (only fixed code)                            |
| Maximum distance in open field              | 150m   |
| Battery                                     | Mod "CR2032" 3V                                  |
| Maximum dimension product in mm (L x W x H) | 38 x 68 x 11                                     |
| Product weight packed (Kg)                  | 0,04   |

# PRODUCT DIMENSIONS AND PREPARING FOR INSTALLATION



DIMENSIONS