

PRODUCT TECHNICAL DATASHEET

R90/F2ES

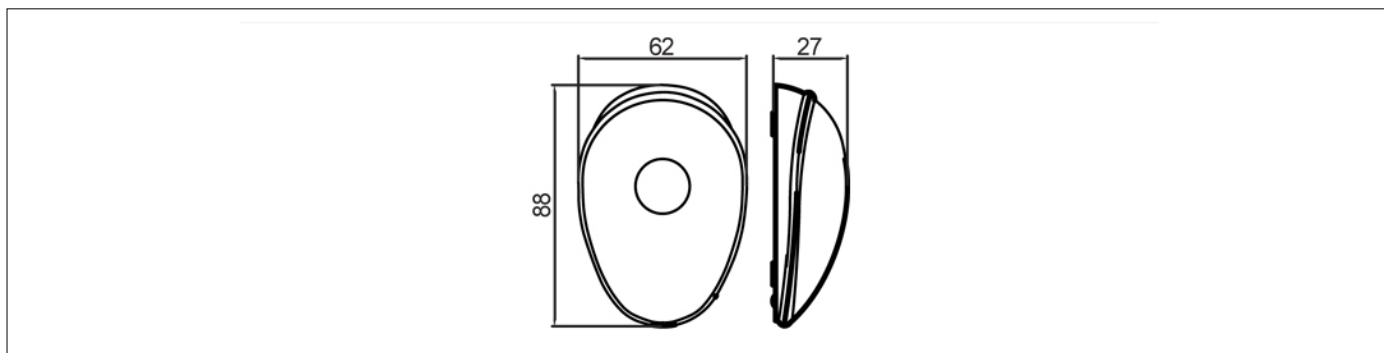


CODE	DESCRIPTION	PCS/PALLET
R90/F2ES	Pair of external photocells synchronized.	

PRODUCT TECHNICAL SPECIFICATIONS

Standard power	12/24V AC 50Hz - 12/24V DC
Absorption	TX 19mA - RX 20mA
Operating temperature	-20+55°C
Protection level	IP55
Maximum distance in open field	10 - 15 m
Maximum number of photocells synchronized	2
Orientation angle	-
Relay contacts max current	0,5A RX
Relay contacts max voltage	30V
Installation Type	External
Maximum dimension product in mm (L x W x H)	62 x 88 x 27
Product weight packed (Kg)	0,1

PRODUCT DIMENSIONS AND PREPARING FOR INSTALLATION



PRODUCT ACCESSORIES



CFT500
Pair of column H 500 for
photocells series R90.



CFT501
Pair of column H 1000 for
photocells series R90.