

PRODUCT TECHNICAL DATASHEET

G90/F4ES

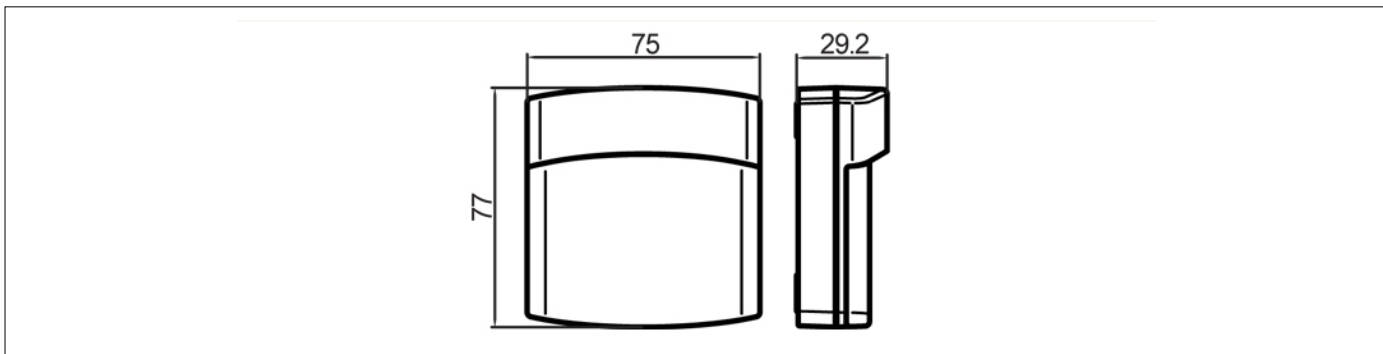


CODE	DESCRIPTION	PCS/PALLET
G90/F4ES	Pair of external photocells synchronized 24V AC/DC up to 4 pair.	

PRODUCT TECHNICAL SPECIFICATIONS

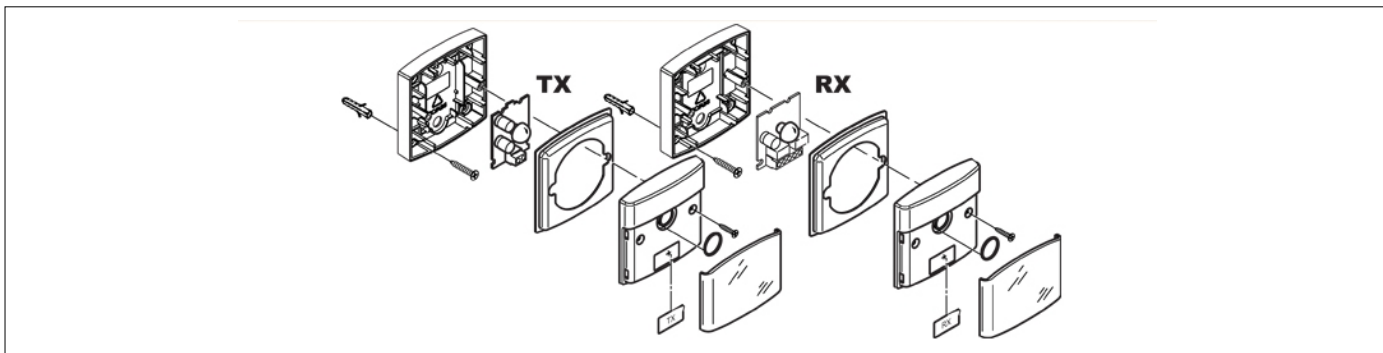
Standard power	24V AC 50Hz - 24V DC
Absorption	TX 18 mA - RX 27 mA
Operating temperature	-20+55°C
Protection level	IP55
Maximum distance in open field	10 - 15 m
Maximum number of photocells synchronized	4
Orientation angle	-
Relay contacts max current	0,5A RX
Relay contacts max voltage	30V
Installation Type	External
Maximum dimension product in mm (L x W x H)	77 x 75 x 29,2
Product weight packed (Kg)	0,2

PRODUCT DIMENSIONS AND PREPARING FOR INSTALLATION



DIMENSIONS

PRODUCT PREPARING FOR INSTALLATION



PREDISPOSITION FOR STANDARD INSTALLATION

PRODUCT ACCESSORIES



CRA50
Column H 500 for photocell
G90/F2ES - G90/F4ES.



CRA100
Column H 1000 for photocell
G90/F2ES - G90/F4ES.